

Stage Series 3" Max Yellow Standard LED Pod



FEATURES

STAGE
SERIES



- Maximum output and performance, in a compact 3" package
- Four automotive-grade Osram Boost HX 20-watt LEDs
- Pin-fin heatsink design, for superior thermal dissipation
- Integrated Deutsch-style connector
- Durable powdercoated aluminum construction
- Designed, torture tested and assembled in USA

GENERAL SPECIFICATIONS

Optic	Peak Beam Intensity (Candela)	Illuminance (lux @10m)	Measured Output (Lumens)	Raw Output (Lumens)	Output Color
Fog	12,500 cd	125 lux	3,500 lm	7,920 lm	Selective Yellow

Functions: Yellow Output

Voltage Range: 9-16V

Current Draw (amps @ 12.8V): 3A

Wattage: 38.5W

Connector Type: Deutsch DT Connector

Driver Type: Integrated Driver

LED Type/Count: Osram Boost HX/4 total

Compliance Rating: J575 Durability Test, SAE-F J583

Intrusion Rating: IP69K Waterproof, High Pressure

Operating Temperature: -40°C to 85°C

What's Included:

- One (1) or Two (2) Stage Series 3" LED Pods
- One (1) or Two (2) Deutsch-style wire pigtails
- One (1) or Two (2) Mounting brackets and hardware

Dimensions & Weight:

Length: 14.5" **Width:** 10" **Height:** 5"

Weight: 2.5 lbs (single), 3.5 lbs (pair)

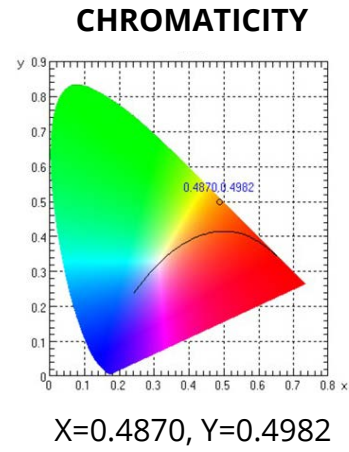
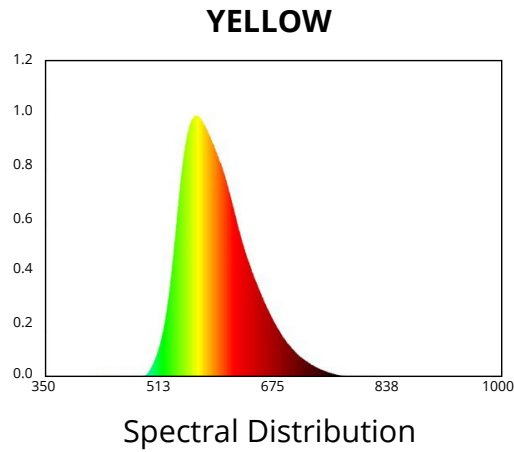
SKUs: Append "S" to the end of each SKU for single and "P" for pair

DD6492 Stage Series 3" Max Yellow Fog Standard

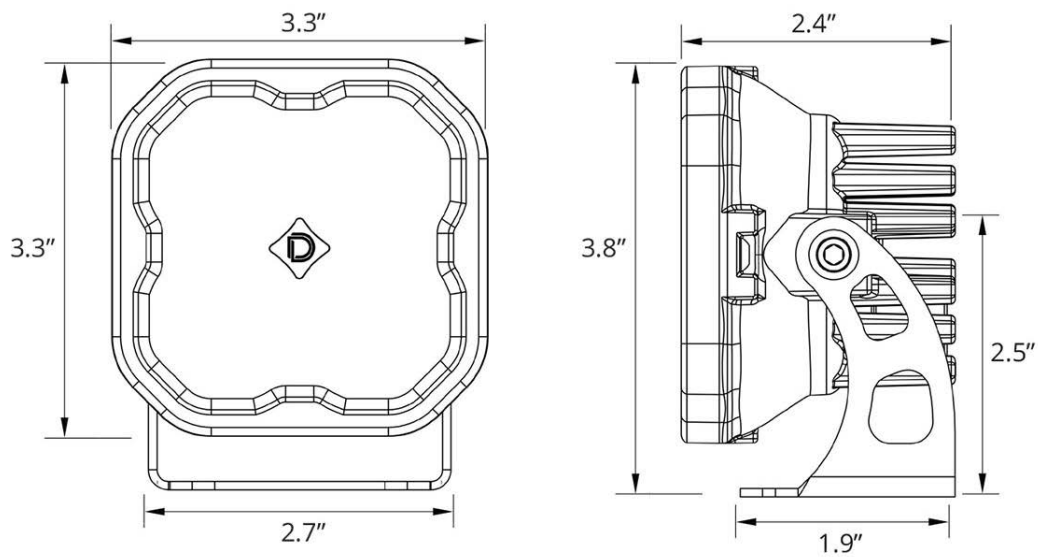
All data and specifications are nominal values and may vary.

PUBLISHED: 2-24-2021

COLORIMETRIC SPECIFICATIONS



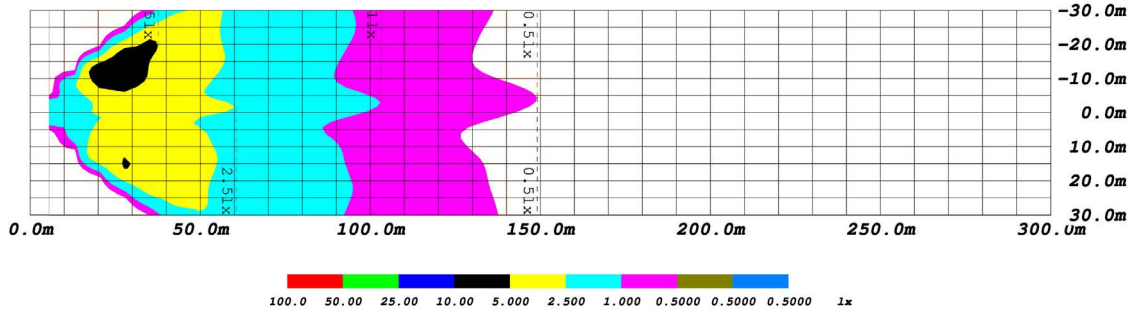
PRODUCT DIMENSIONS



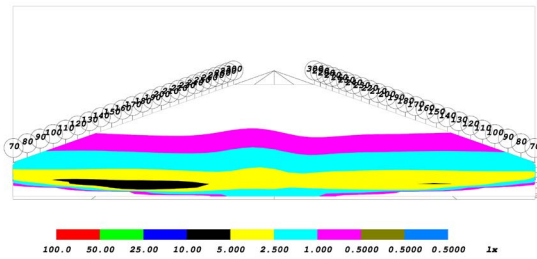
PUBLISHED: 2-24-2021

PHOTOMETRIC SPECIFICATIONS

Fog Optic Isolux



Fog Optic Perspective



Fog Optic Isocandela

