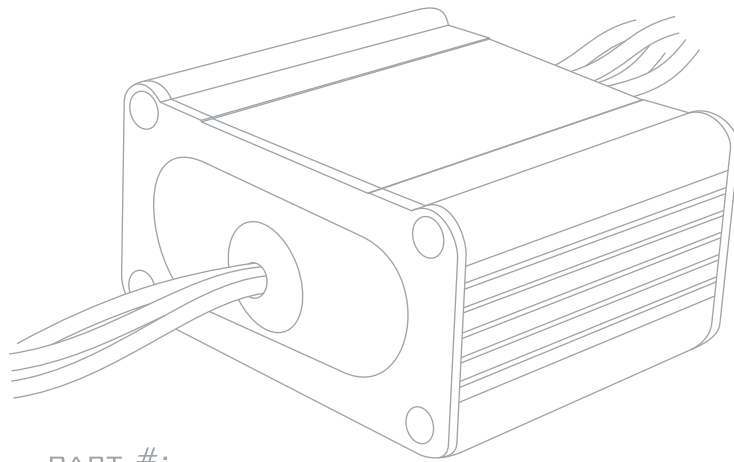


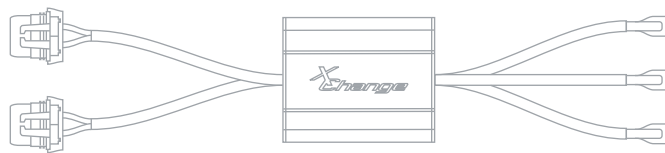


THE AUTOMOTIVE LIGHTING BENCHMARK



PART #:
50207

INSTALLATION GUIDE
XCHANGE



1x



WARNING: By reading this document, I agree it is only to be used as an educational guide. Morimoto Lighting makes no guarantee on any finished results, nor are they to be held responsible for any damage, misuse, or personal injuries. Use at your own risk. If you are unable to clearly understand and adapt the information below to your own application, professional installation is recommended.

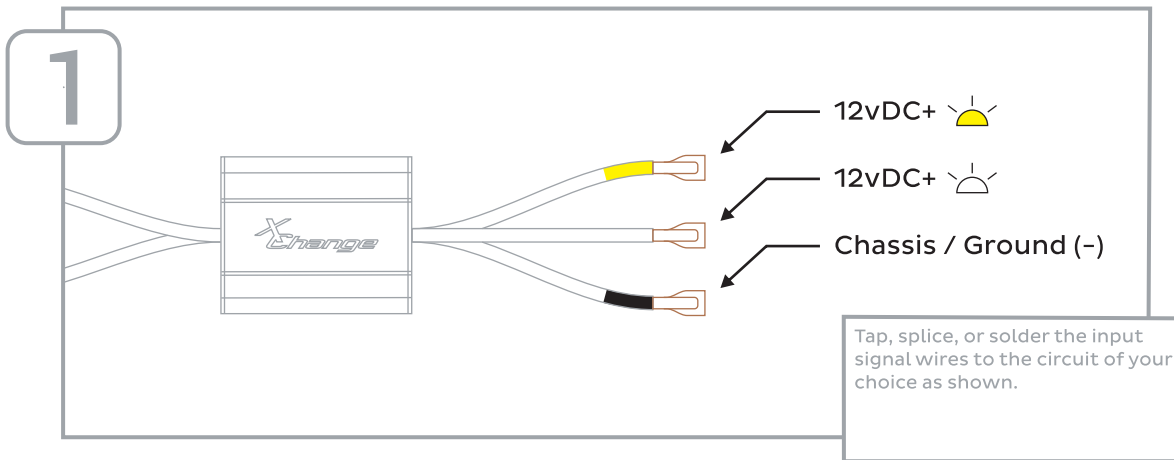
12V

12VDC INPUT

12V

12VDC OUTPUT

SCHEMATIC - INPUT



SCHEMATIC - OUTPUT

